



32A Double Pole Switch Modules

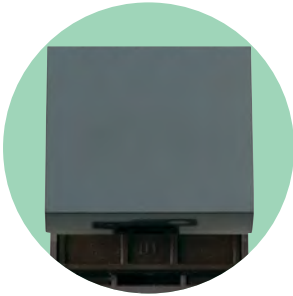


MINIGRID™ modules are fitted as standard into our moulded POLAR™ & MODE®, decorative DEFINITY™, DEFINE® DECO® and Metal Clad ranges. The MINIGRID™ modules are all easily and quickly exchanged or mounted onto unfurnished plates by means of a simple single screw fixing.

32A Double Pole Switch Modules

Product Range

Finish Comparison



Black (BK)



Stainless Steel (SS)



Polished Chrome (CH)



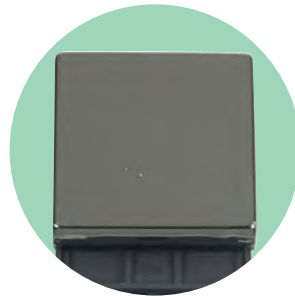
Click White (WH)



Satin Chrome (SC)



Brushed Steel (BS)



Black Nickel (BN)



Polar White (PW)

32A Double Pole Switch Modules

Product Range

32A Double Pole Switch Modules

MD032**

32A DP Switch Module

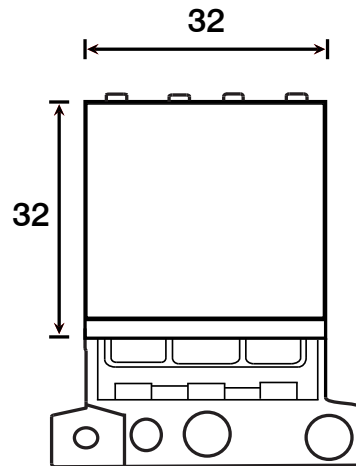


MD032

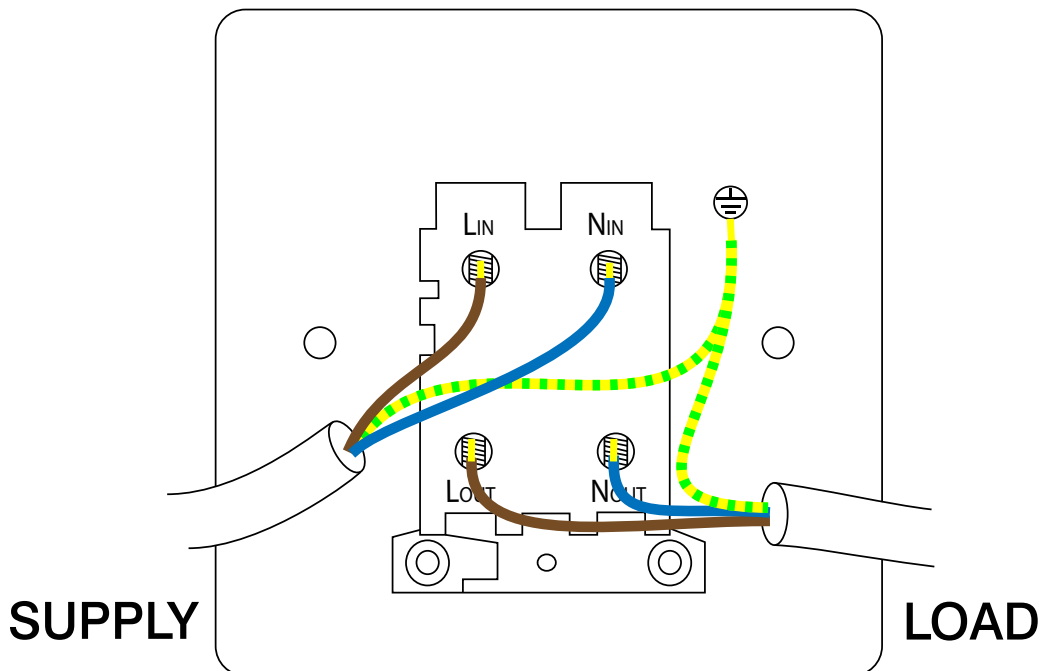
32A Double Pole Switch Modules

Product Dimensional Drawings (mm)

MD032



Wiring Diagram



32A Double Pole Switch Modules

Technical Specification

32A Double Pole Switch Modules

| | |
|---------------------------------|-------------------------------------------------------------------------------------------------------------------------------------------------------------------------------------------------|
| Material Composition | Rocker Switch: Urea or Urea + Stainless Steel Cover (Ingot) Rear Housing: Nylon Terminals: Brass Terminal Screws: Steel & Yellow Passivated Silver “on-lay” Copper / Brass Contacts |
| Voltage | 240V~ 50Hz |
| Current Rating | 32A |
| Terminal Size | 5mm ø |
| Torque Value | 1.8Nm |
| Cable Size | 4 x 2.5mm ² |
| Back Box Depth | 16mm - 47mm (Dependant on Mounting Plate Used) |
| Double Pole | Yes |
| Modular | Yes |
| Warranty | 10 Years |
| Anti Microbial Certified | Yes (Non Ingot Switches Only) |
| IP Rating | IP20 |
| Operational Temperature | -5° to +40°C |
| Standards | The Low Voltage Directive 2006/95/EC BS EN 60669-1:1999 + A1:2002 + A2:2008 Modified ISO 22196 |

Additional Information

Ensure that the mains supply is isolated before commencing installation.

Bare earth cables must always be covered with appropriate sleeving and wired to the earth terminal.

All white moulded accessories are manufactured using Urea Formaldehyde, which has similar inherent properties to antimicrobial additives that inhibit the growth of infectious diseases. All products were independently tested and achieved a 99.9% kill rate across all four types of the strains of bacteria - MRSA, E-Coli, Salmonella, and Klebsiella Pneumoniae.



DECLARATION OF CONFORMITY

- 1. *Issuer Name* Scolmore International Limited
- 2. *Issuer Address* 1 Scolmore Park, Landsberg,
Lichfield Road Industrial Estate,
Tamworth, Staffordshire, B79 7XB
- 3. *Object(s) of Declaration* MINIGRID Range
 - a. *Group* 32A Double Pole Switch Modules
 - b. *Model No.* MD032
- 4. *The object of the declaration described above is in conformity with the requirements of the following Legislations:*

| Document No | Title |
|-------------|-----------------------|
| 2006/95/EC | Low Voltage Directive |

5. *All products contained within the aforementioned comply with the relevant standards and requirements listed below.*

EN 60669-1:1999 + A1:2002 + A2:2008

6. *I hereby declare that the equipment named above has been designed to comply with the relevant sections of the above referenced specifications. The unit complies with all applicable Essential Requirements of the Directives.*

In conjunction with the above all manufacture and process controls are in accordance with ISO 9001:2008

Signed, for and on behalf of: Scolmore International Limited

Steven Bettson BSc - Senior Technical Support Engineer

